

ROUGH TERRAIN TELESCOPIC BOOMS



HT28 RTJ O
HT28 RTJ PRO

Performance & Productivity

- Best horizontal outreach of 23,85m
- Homogenous and fluid working envelope
- Outstanding RT capacities

Safety & Comfort

- Safe loading/unloading at twilight thanks to Activ'Lighting System (PRO model)
- Unmatched comfort & smoothness in elevation thanks to a unique regulation system of boom movements
- Excellent rigid boom

Cost efficiency

- Haulotte Activ'Screen on board diagnostic system
- Haulotte Stop Emission System which automatically turns off & on the engine
- Easy access to all components
- Modular basket quick and easy to repair

1



www.haulotte.co.uk

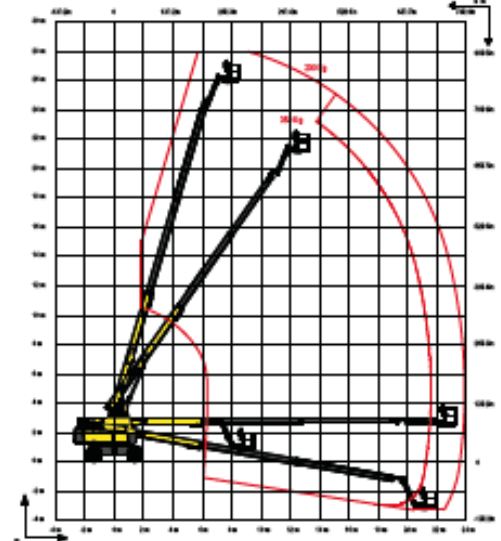


HT28 RTJ O / RTJ PRO

ROUGH TERRAIN TELESCOPIC BOOMS



TECHNICAL DATA	HT28 RTJ O 4WD-2WS	HT28 RTJ PRO 4WD-4WS
Working height	27.9 m	
Platform height	25.9 m	
Horizontal outreach	23.85 m	
Below ground reach	3 m	
Lift capacity	230 kg (2 persons)	
F x G Platform size	2.44 x 0.91	
A Length - stowed	13.05 m	
H Length - storage	9.8 m	
B Width	2.48 m	
C Height - stowed	2.85 m	
I Height - storage	2.98 m	
Vertical jib rotation	133° (-66°/+67°)	
Jib length	1.83 m	
Boom rotation angle	84.5° (+74.5°/-10°)	
Turntable rotation	360° continuous	
Tailswing	150 cm	
D Wheelbase	2.8 m	
E Ground clearance	48 cm	
Tilt	4°	
Drive speed	0.5 - 5 km/h	
Gradeability	45 %	
Turning radius - outside	6,55 m	4,35 m
Tires - foam-filled	Solid RT cured on 1025x365 mm	
Engine	Kubota Tier 3 - 49,3kW & Kubota Tier 4f - 53 kW	
Weight	17 900 kg	18 100 kg

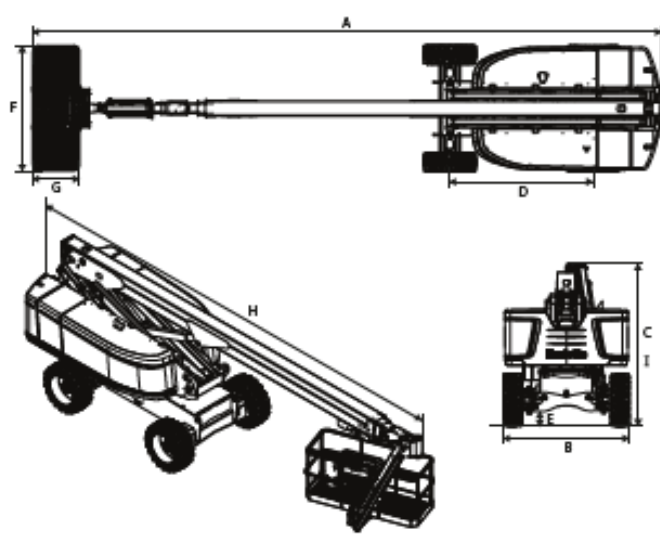


STANDARD EQUIPMENT

- Haulotte Activ/Lighting Safe Load System (Only for PRO, Ready for the O model)
- Haulotte Stop Emission System
- Haulotte smooth proportional movements
- Haulotte Activ/Screen
- Haulotte Activ/Shield™ Bar 2.0 (Only PRO model. Standard for Europe & Latin America)
- 4 wheel drive / 2 wheel steer (O) , 4 wheel steer (PRO)
- Automatic differential wheel lock
- Oscillating axle
- Large modular basket 2.44 x 0.91 m
- Drop bar entry gate
- Lift capacity 230 kg
- Basket rotation 180° (+90/-90)
- Upper control box protection cover and tool tray in ultra-solid composite
- Sound and light alarm for tilt and load
- Driving sound and rotating beacon light alarms
- Safe to use in winds up to 45 km/h
- Swing out engine tray for ease maintenance
- Universal telematics plug

OPTIONS AND ACCESSORIES

- Dual load capacity 230-350 kg (2 persons)
- Haulotte Activ/Shield™ Bar 2.0 (O model)
- Lateral swing door entry gate
- Power to platform (Female plug 230V/110V)
- Hydraulic generator 3.5 kW or 6.5 kW
- Air line to platform 13 mm inner diameter
- Glazier pack
- Pipe cradle pack
- Activ/Lighting system Safe Load (O model)
- USB plug
- Motion flashing warning light
- Cold weather kit / Arctic weather kit
- Hydraulic oil cooler
- Non-marking tires
- Battery circuit breaker
- White diesel
- Anti-overspeed kit (Spark arrester, Electric one-way valve)
- Shipyard package
- Modular triangular tool tray



© 2016 Haulotte - Haulotte Group. All rights reserved. No part of this document may be reproduced without permission.

